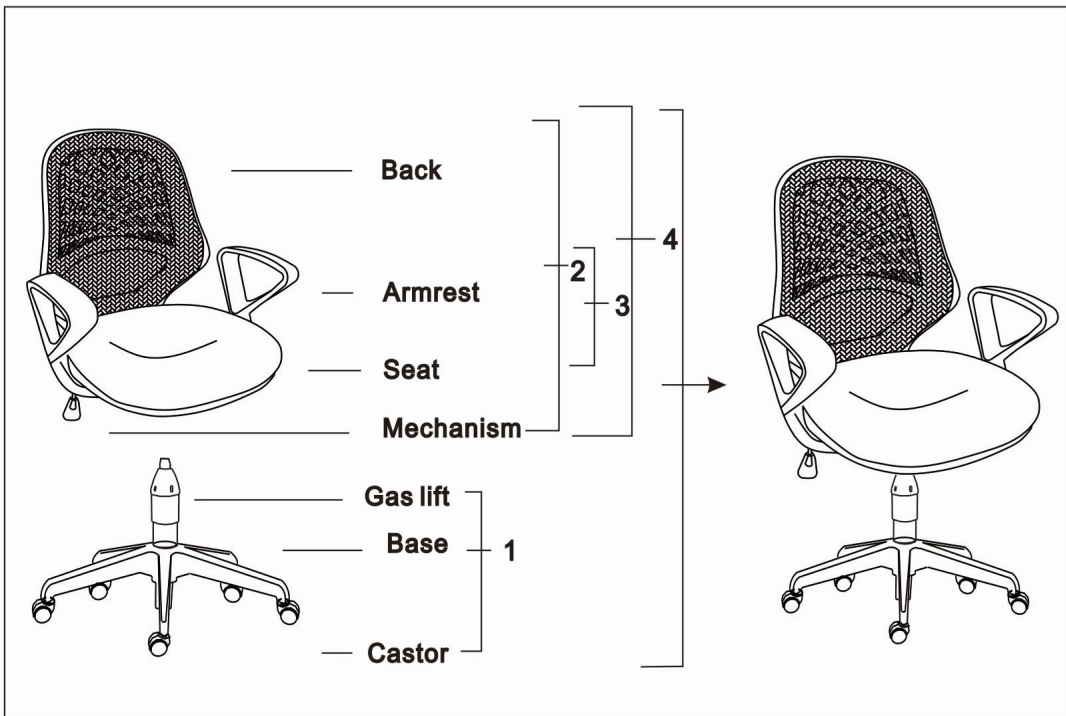
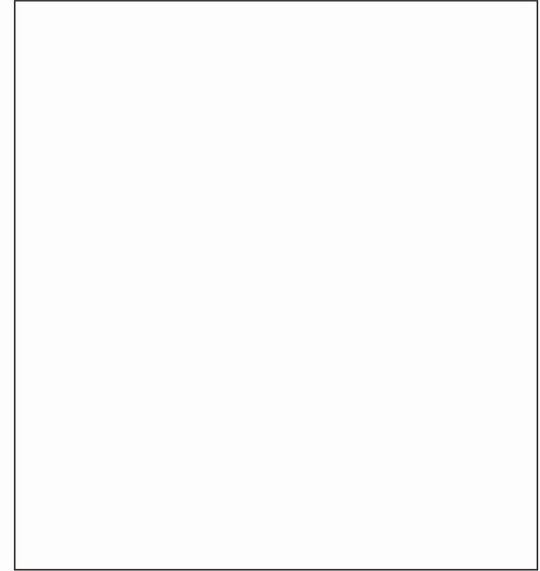
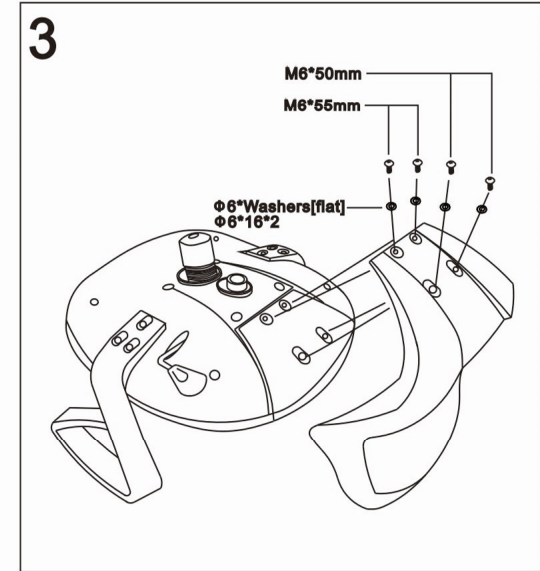
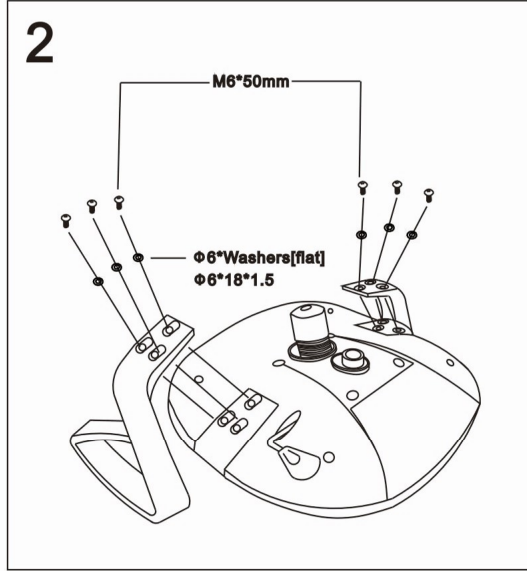
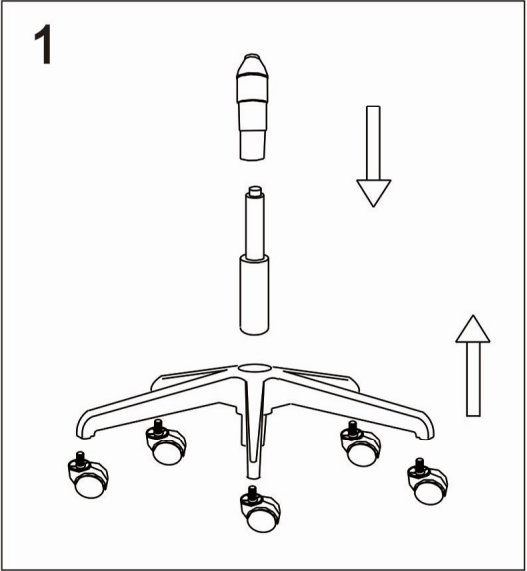




ASSEMBLY INSTRUCTIONS

"functional seating for today's workplace"

MODEL:BCM/K116



| | | | |
|---------|---|-----------|------|
| | | | Flat |
| M6*50mm | 8 | φ6*18*1.5 | |
| M6*55mm | 2 | 6 | |
| | | φ6*16*2 | |
| | | 4 | |

Use the ruler to help identify parts

Parts Checklist

PREVENTIVE MAINTENANCE AND WARNING

- ONLY FOR SEATING ONE PERSON AT A TIME.
- DO NOT USE CHAIR AS STEP STOOL OR LADDER.
- WHEN INSTALLING SPRING HANDWHEEL, PLS PUT STEEL BOWL WASHER'S SMALL ROUND MOUTH AS DIRECTIONS AT THE SPRING
- DO NOT USE CHAIR UNLESS ALL BOLTS, SCREWS ARE TIGHT.
- AT LEAST EVERY SIX MONTHS CHECK ALL BOLTS AND SCREWS TO BE SURE THEY ARE TIGHT.
- IF ANY PARTS ARE MISSING, BROKEN, DAMAGED OR WORN, STOP USING THE PRODUCT UNTIL REPAIRS ARE MADE WITH FACTORY AUTHORIZED PARTS.
- FAILURE TO FOLLOW THESE WARNINGS CAN RESULT IN SERIOUS INJURY.